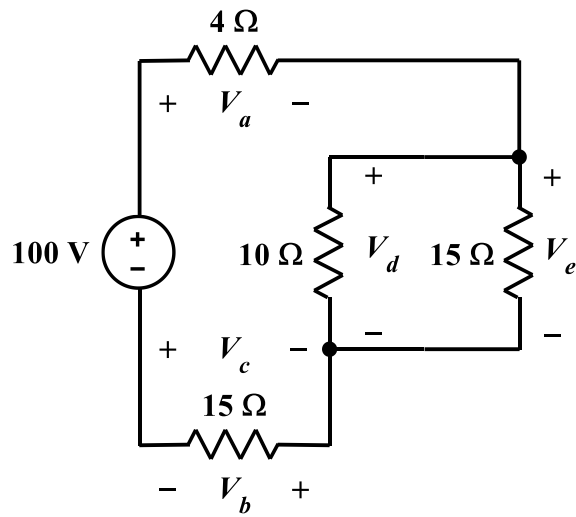


EE 2240
Homework Problem #011



Use equivalent resistance and the voltage divider equation to determine each of the following:

a. V_a

b. V_b

c. V_c

d. V_d

e. V_e